

SAFDECK® Trash Gates



Durable, long-lasting SAFDECK® fiberglass trash gates are the superior choice for screening waste disposal and other unsightly areas.

The lightweight, prefabricated gates are designed to be installed quickly and easily without the need for special tools. SAFDECK® gates will provide years of maintenance-free service, even in the harshest weather conditions, because fiberglass will not rust, rot or corrode. Strongwell's gates and enclosures also are impact resistant so dents will not detract from their appearance.

GEF custom designs SAFDECK gates to suit each customer's specific dimensional requirements. Custom colors are also available.

GEF INCORPORATED

6497 Winfield Rd
Winfield, WV 25213
(Office) 304-755-1600
(Toll Free) 800-784-0529
(Fax) 304-755-3150
www.gefinc.com



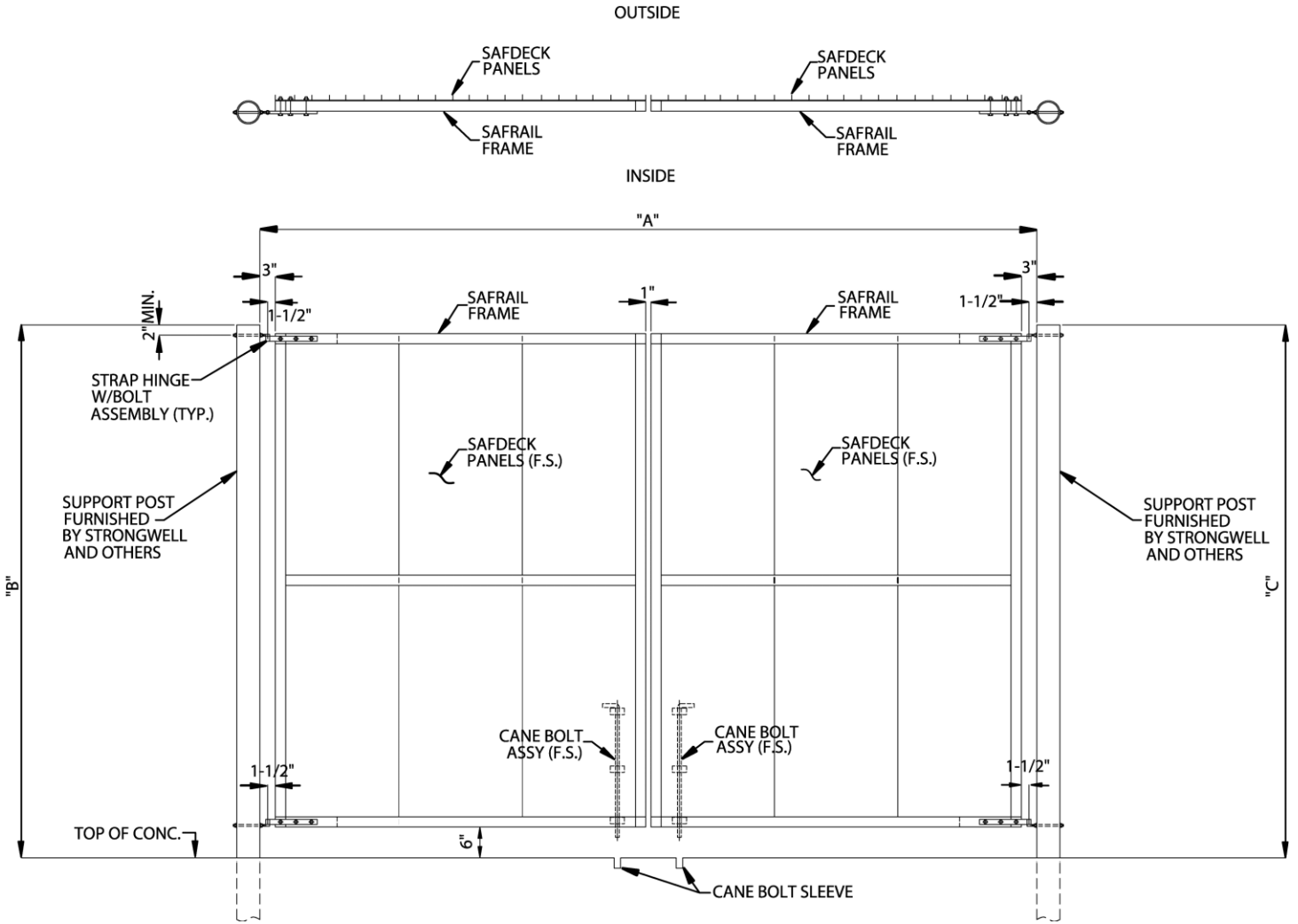
Durable SAFDECK® trash gates feature smooth or ribbed surfaces to blend with existing architectural features.

Benefits

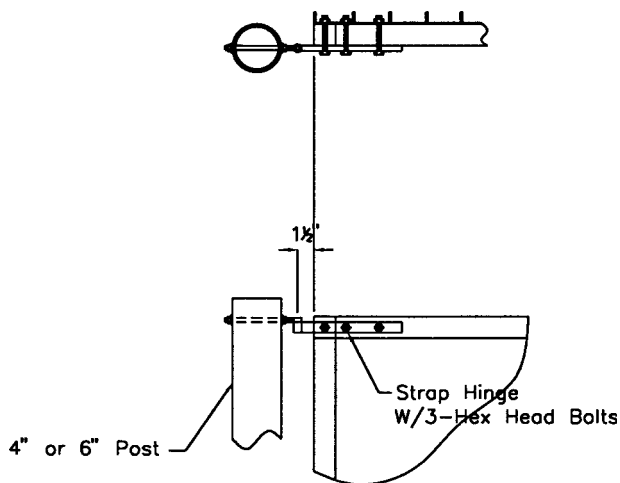
- **Strong**
- **Quick & Easy to Install** — no special tools are needed for installation
- **Attractive** — enhances the facility's appearance; custom colors blend with surroundings
- **Durable** — won't rot, rust or corrode; impact resistant
- **Low in Maintenance** — the need for painting is greatly reduced or eliminated
- **Cost Effective** — long life cycle and reduced maintenance make fiberglass a cost effective alternative to wood, steel and other materials

STANDARD GATE SYSTEM DETAIL

(Maximum Size: 8'-0" Height x 14'-0" Wide)



STANDARD HINGE DETAIL



OPTIONAL HINGE DETAIL

